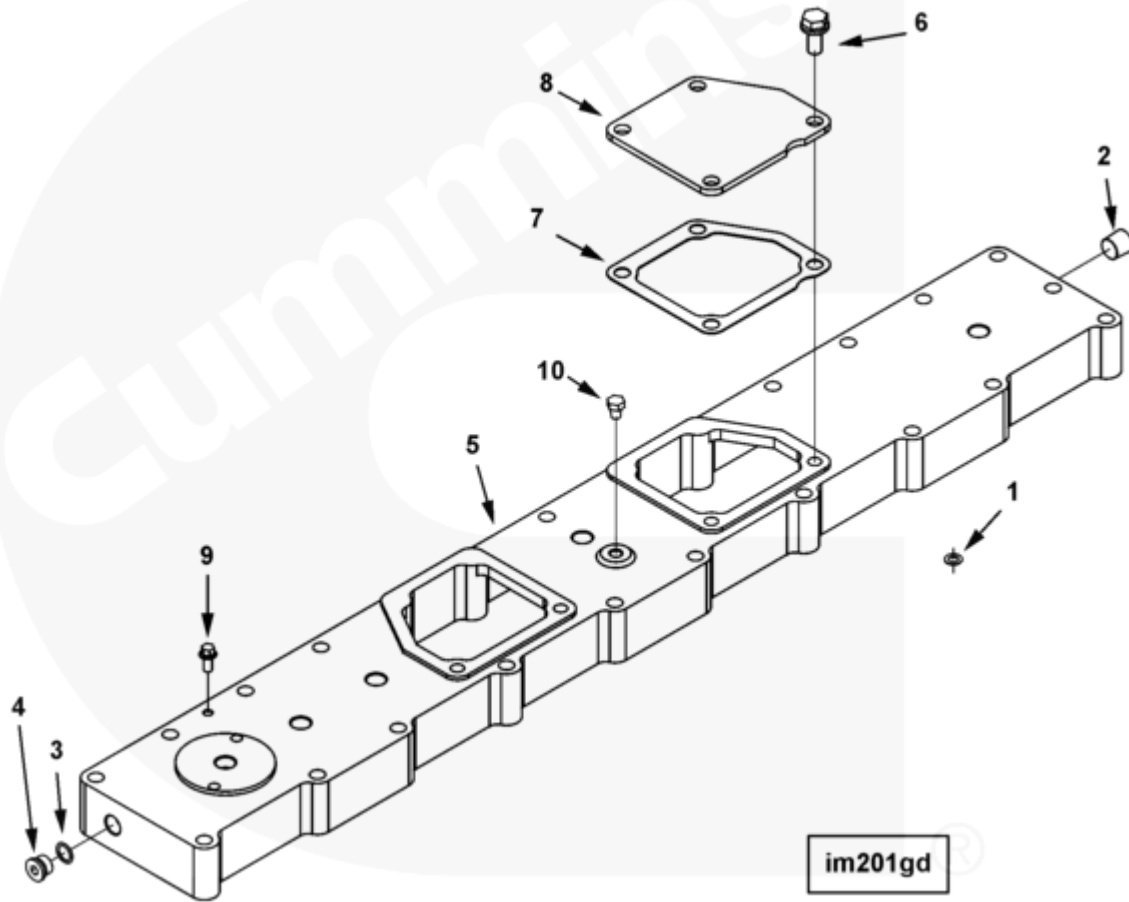




Parts Catalog - Option Detail

| Electronic Parts Catalog - Option Detail | | | | |
|--|--|---------|-----------|-----------|
| Option | Group | Graphic | Film Card | Date |
| IM2002 | 10.01 | im201gd | II | 10-FEB-04 |
| Engines | ISM CM570, ISM CM570/870, ISM CM875, ISM CM876, ISM CM876 E, ISM11 CM876 M103, ISM11 CM876 SN, M11 CELECT, M11 CELECT PLUS, M11 MECHANICAL, QSM11 CM570, QSM11 CM876 | | | |

©Cummins Inc



[SMALL](#) | [MEDIUM](#) | [LARGE](#)

| Cart | Ref No | Part Number | Part Description | Required | Remarks |
|------------------------------|--------|-------------|---------------------|----------|------------------------|
| View My Cart | | | | | |
| | | IM2002 | Air Intake Manifold | | |
| | | | | | Air Intake Manifold |
| | | | | | Int Manifold Air Inlet |
| | | | | | Location: Side |

| | | | | | |
|--------------------------|----|-------------------------|-------------------------------|---|-------------------------------|
| | | | | | Intake Manifold Mounting Inc: |
| | | | | | in IMM Dependent Option |
| | | | | | |
| <input type="checkbox"/> | 1 | 112408 | Plain Washer | 1 | 1/4 in. |
| <input type="checkbox"/> | 2 | 3008468 | Pipe Plug | 1 | 1/2 NPT. |
| <input type="checkbox"/> | | 3037536 | Threaded Plug | 3 | 9/16 - 18 UNF |
| <input type="checkbox"/> | 3 | 3037537 | O-Ring Seal | 1 | |
| | 4 | 3040813 | Threaded Plug | 1 | 9/16 - 18 UNF |
| <input type="checkbox"/> | 5 | 3406757 | Air Intake Manifold | 1 | |
| <input type="checkbox"/> | 6 | 3818060 | Captive Washer Cap Screw | 2 | M10 X 1.50 X 25. |
| <input type="checkbox"/> | 7 | 3818846 | Connection Gasket | 1 | |
| <input type="checkbox"/> | 8 | 3819659 | Cover Plate | 1 | |
| <input type="checkbox"/> | 9 | 3900627 | Hexagon Flange Head Cap Screw | 1 | M6 X 1.00 X 14. |
| <input type="checkbox"/> | 10 | 3031511 | Pipe Plug | 1 | 1/8 NPT. |

© 2019 Cummins Inc., Box 3005, Columbus, IN 47202-3005 U.S.A.
Terms of Use and Disclaimers | Recommended System Requirements
Need Assistance? Please click on the Contact Us button in the top right corner of any page.